

auto electrical parts

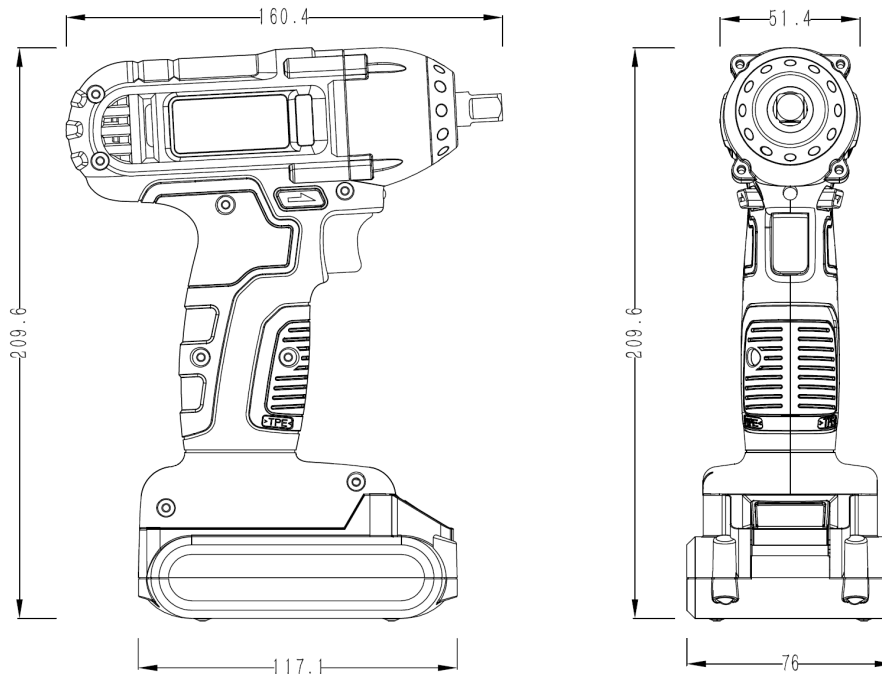
Technical Information Sheet

Part No. 0-467-35

Cordless 14.4V 3/8" Impact Wrench with 2.0Ah Lithium Ion Battery and #550 Motor. No Load Speed 0-2500min. Impact Rate 0-3200min. Max Torque 120Nm. Supplied in a BMC with a spare battery and UK 230V Charger.



Technical Drawing (not to scale)



Specification

Motor Voltage	14.4V DC
Motor Type	#550
Drive	3/8" Square
Weight (Inc Bat)	1.115KG
Weight (Ex Bat)	0.8KG
No Load Speed	0-2400Min
Impact Rate	0-3200 IPM
Max Torque	120Nm
Vibration	7.523 m/s ²
Battery Type	Lithium Ion
Battery	14.4V 2.0Ah
Battery Weight	0.315KG
Charging Time	3-5 Hour
Approval	CE

The information contained in this document is correct to the best of our knowledge at the time of printing. However, specifications may change at any time without notice.